

Ambassador Junior 115V

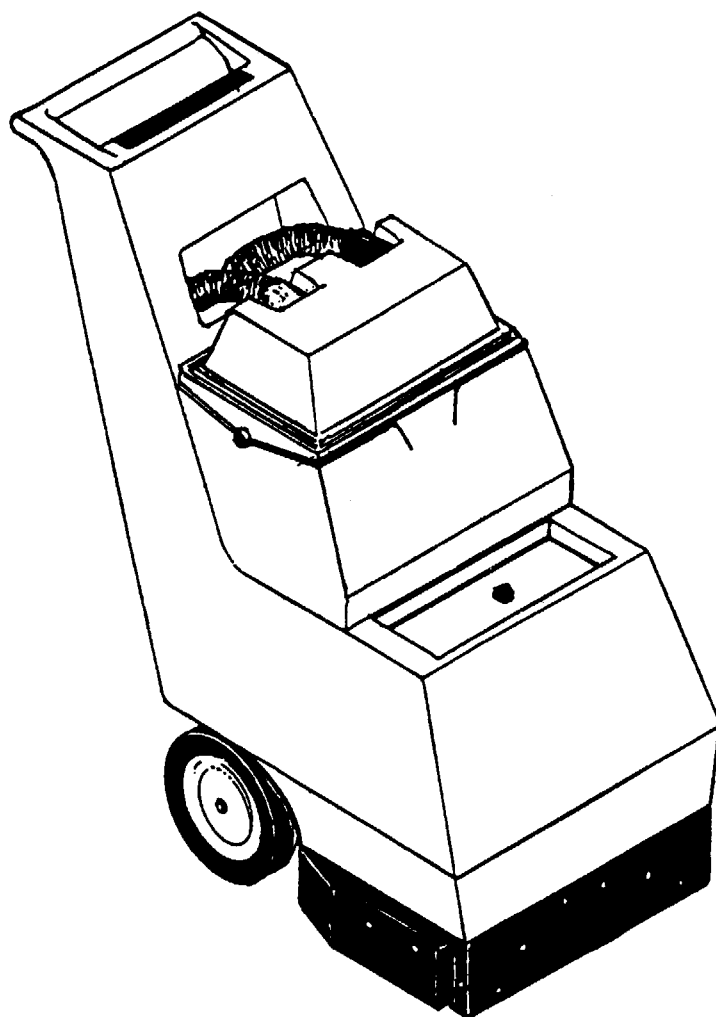
Model: C45014-01

OPERATION

SERVICE

PARTS

CARE



Revised 3/04

Minuteman[®]

FOR COMMERCIAL USE ONLY

IMPORTANT SAFETY INSTRUCTIONS

When using an electrical appliance, basic precautions should always be followed, including the following:

READ ALL INSTRUCTIONS BEFORE USING

WARNING - To reduce the risk of fire, electric shock, or injury:

- Do not leave appliance when plugged in. Unplug from outlet when not in use and before servicing.

WARNING

To reduce the risk of electrical shock, do not expose to rain. Store indoors.

- Do not allow to be used as a toy. Close attention is necessary when used by or near children.
- Use only as described in this manual. Use only manufacturer's recommended attachments.
- Do not use with damaged cord or plug. If appliance is not working as it should, has been dropped, damaged, left outdoors, or dropped into water, return it to a service center.
- Do not pull or carry by cord, use cord as a handle, close a door on cord, or pull cord around sharp edges or corners. Do not run appliance over cord. Keep cord away from heated surfaces.
- Do not unplug by pulling on cord. To unplug, grasp the plug, not the cord.
- Do not handle plug or appliance with wet hands.
- Do not put any object into openings. Do not use with any opening blocked; keep free of dust, lint, hair, and anything that may reduce air flow.
- Keep hair, loose clothing, fingers, and all parts of body away from openings and moving parts.
- Do not pick up anything that is burning or smoking, such as cigarettes, matches, or hot ashes.
- Do not use without dust-bag and/or filters in place.
- Turn off all controls before unplugging.
- Use extra care when cleaning on stairs.
- Do not use to pick up flammable or combustible liquids such as gasoline or use in areas where they may be present.
- Connect to a properly grounded outlet only. See grounding instructions.

SAVE THESE INSTRUCTIONS

INSPECTION

Carefully unpack and inspect your machine for shipping damage. Each unit is tested and thoroughly inspected before shipment, and any damage is the responsibility of the delivery carrier who should be notified immediately.

ELECTRICAL

This machine is designed to operate on a standard 15 amp, 115 volt, 60 hz, AC circuit. Voltages below 105 volts AC or above 125 volts AC could cause serious damage to the motor.

WARNING

Electric motors can cause explosions when operated near explosive materials or vapors. Do not operate this machine near flammable materials such as solvents, thinners, fuels, grain dust, etc.

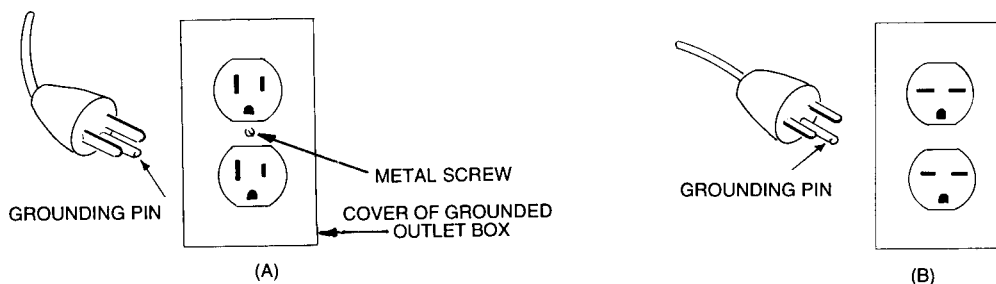
GROUNDING INSTRUCTIONS

This appliance must be grounded. If it should malfunction or breakdown, grounding provides a path of least resistance for electric current to reduce the risk of electric shock. This appliance is equipped with a cord having an equipment-grounding conductor and grounding plug. The plug must be plugged into an appropriate outlet that is properly installed and grounded in accordance with all local codes and ordinances.

DANGER

Improper connection of the equipment-grounding conductor can result in a risk of electric shock. Check with a qualified electrician or service person if you are in doubt as to whether the outlet is properly grounded. Do not modify the plug provided with the appliance — if it will not fit the outlet, have a proper outlet installed by a qualified electrician.

This appliance is for use on a nominal 120-volt circuit and has a grounding plug that looks like the plug illustrated in sketch A below. Make sure that the appliance is connected to an outlet having the same configuration as the plug. No adapter should be used with this appliance.



USER MAINTENANCE INSTRUCTIONS

All service and repair should be performed by qualified vacuum service representative or electrician. No user serviceable components are employed in the electrical vacuum lid head assembly. No lubrication of the motor is required.

DAILY MAINTENANCE

1. Solution tank should be emptied after each use. Flush pumping system with 2 or 3 gallons of clean hot water.
2. Check and clean vacuum inlet filter (page 7, item 118) and solution inlet strainer (page 7, item 1) daily.
3. Removable recovery tank, page 7, item 40, should be rinsed clean daily.
4. Spray jets should be checked for correct spray pattern and cleaned if plugged (page 7, item 55). Spray jets are quick release 1/4 turn type. By twisting item 121 1/4 turn counter clockwise, jets can be removed for cleaning. Do not clean out spray tips with pins or wire, this may cause damage to the jet spray pattern and cause streaking.
5. Protect equipment from freezing. Severe pumping system damage can occur if allowed to freeze.
6. Inspect vacuum hoses for tight connections. Check electrical cable for abrasion or cuts in jacket. Cord should be replaced if worn or damaged.

MONTHLY/BI-MONTHLY MAINTENANCE

The Ambassador Solution Pump System should be purged twice monthly to remove alkaline residue build-up. The system should be flushed twice, once with the jets installed and once with jets removed. To flush system out, use 1 quart of white vinegar to two gallons of clean hot water, followed by a clear 2 gallon rinse. Clean spray jets if required.

CORD STORAGE

While not in use storage can be accomplished by winding cord around rear of machine. Cord hooks are provided.

- Do not use with damaged cord or plug. If appliance is not working as it should, has been dropped, damaged, left outdoors, or dropped into water, return to service center.
- Do not pull or carry by cord, use cord as handle, close a door on cord, or pull cord around sharp edges or corners. Do not run appliance over cord. Keep cord away from heated surfaces.
- Do not unplug by pulling cord. To unplug, grasp the plug, not the cord.
- Do not handle plug or appliance with wet hands.

This equipment should be stored indoors and not exposed to rain.

OPERATING INSTRUCTIONS

FILLING THE AMBASSADOR

Remove clear solution cover lid from front of machine, page 7, item 32. Fill solution tank with desired amount of warm water and add liquid cleaning chemical, Minuteman Extraction Shampoo order #902163. (See instructions on container for proper dilutions.) DO NOT USE powdered cleaning chemicals. Powders are unlikely to dissolve thoroughly, resulting in clogging the inline solution strainer. This can reduce or stop solution flow to the pump and spray jets.

Carpet should be thoroughly vacuumed and obstacles relocated before beginning the cleaning cycle. Heavy traffic lane areas should be pre-treated or spotted with Minuteman Pre-Treat order #902183 for best results.

TO BEGIN CLEANING:

1. Always work away from the cord.
2. Machine operates by pulling backwards over carpet.
3. Vacuum Lid Assembly (page 7) should be properly seated on Recovery Tank (item 40) for proper vacuum recover. See figure 3 for hose hookup.
4. See page 5, Control Panel Switch Identifications: Normal Cleaning Mode
 1. Turn on vacuum switch (1).
 2. Turn on brush switch (2).
 3. Turn on pump switch to continuous (3).
 4. Adjust brush pressure (figure 2) at rear of machine, until brush pressure gauge reads in green zone.
 5. Solution pump should be turned off to the center switch position, page 5 (4), 6" before the end of each cleaning pass.

During the cleaning cycle, care should be taken not to allow foam to build up in the recovery tank. If this should happen, the machine should be turned off. Defoamer order #910543 should be added to the recovery tank only, never into the solution tank. Foam should not be allowed to enter vacuum filter screen.

The recovery waste water level can be viewed from the operator's position of the machine through the visible recovery dome. When waste water is within 2" of the top of the recovery tank, the tank should be emptied. (NOTE : Never tilt machine completely back with recovery tank in place. Always remove tank and set to the side before tilting complete machine.) Recovery tank can be emptied by lifting visible recovery dome and lifting out tank by front handle. A handle gripping area is provided in the front bottom of the recovery tank to tilt and pour the waste water out.

AUXILIARY TOOL HOOK UP

1. Remove grey hose fitting from clear recovery dome and install auxiliary hose assembly cuff to grey fitting by passing through rear of machine. Hook up solution hose to auxiliary out coupler at rear of machine.
2. Turn vacuum switch to on.
3. Turn pump auxiliary switch to on (page 5, item 6). All other switches should be off.

OPERATOR VIEW OF CONTROL PANELS

1. Vacuum switch
2. Brush switch
3. Pump spray switch, continuous operation position. Pump supplies solution to spray bar for cleaning in large open areas.
4. Center position is "off".
5. Momentary position is for intermittent spray for cleaning in smaller more confined areas. When released, switch will return to center off position.
6. Pump auxiliary when using separated floor tool or upholstery tool, switch must be switched to on position. See figure 2 for solution hose hook up - aux. out.
7. Brush pressure adjustment gauge.

See figure 2 for brush adjustment knob location. Adjustments past the green zone on gauge will shorten brush and brush drive motor life.

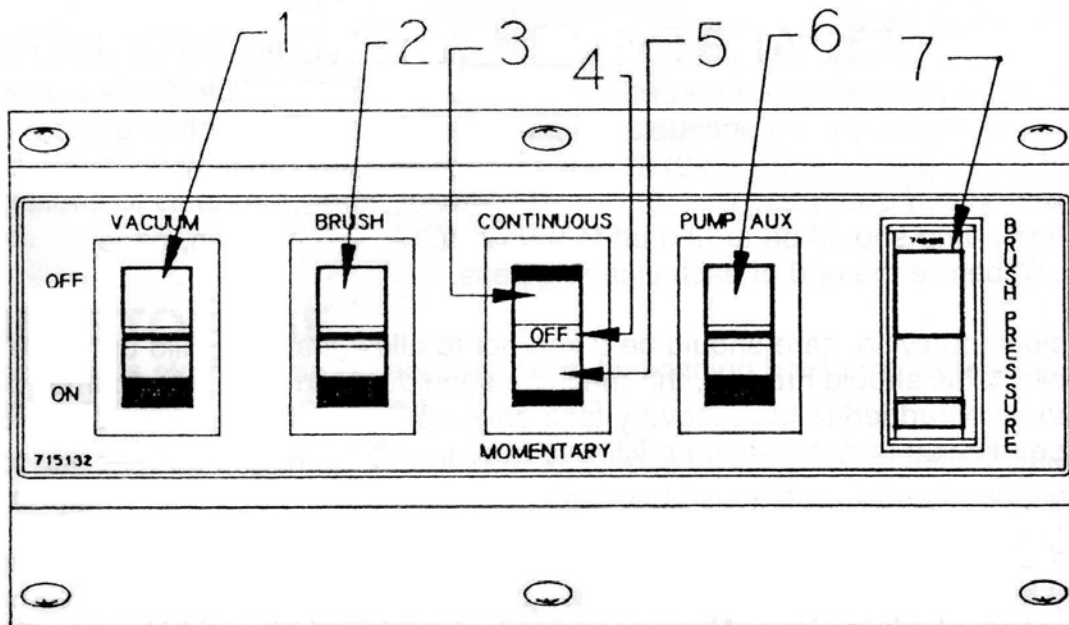


FIG. 1

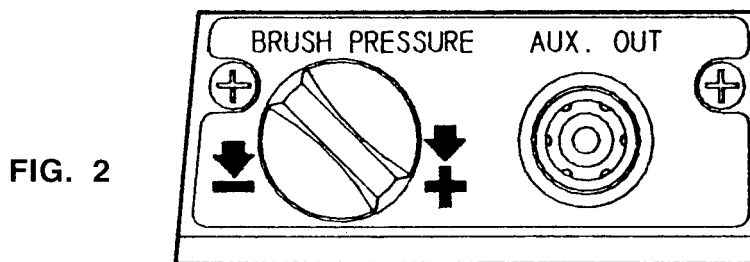
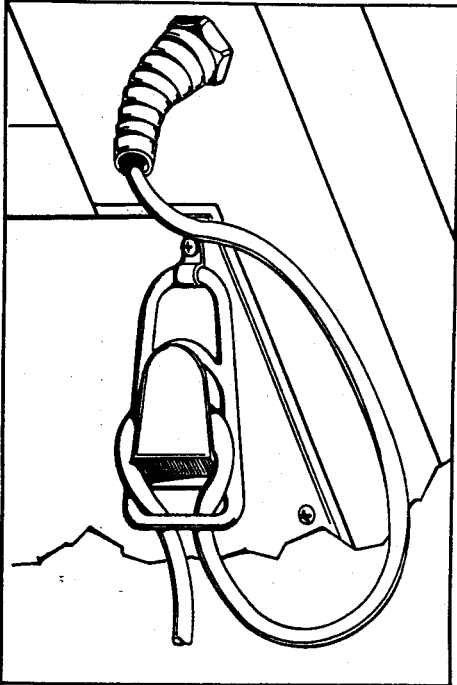
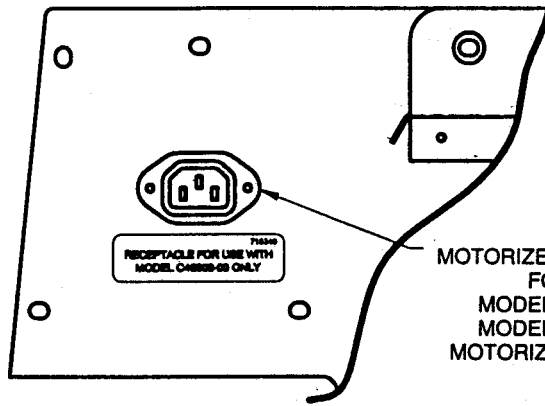


FIG. 2

CORD STRAIN RELIEF



PARTIAL VIEW BACK PANEL



MOTORIZED TOOL RECEPTACLE
FOR USE WITH
MODEL C46300-00 (120V)
MODEL C46300-02 (240V)
MOTORIZED TOOL USE ONLY!

OPERATOR VIEW VISIBLE RECOVERY SYSTEM

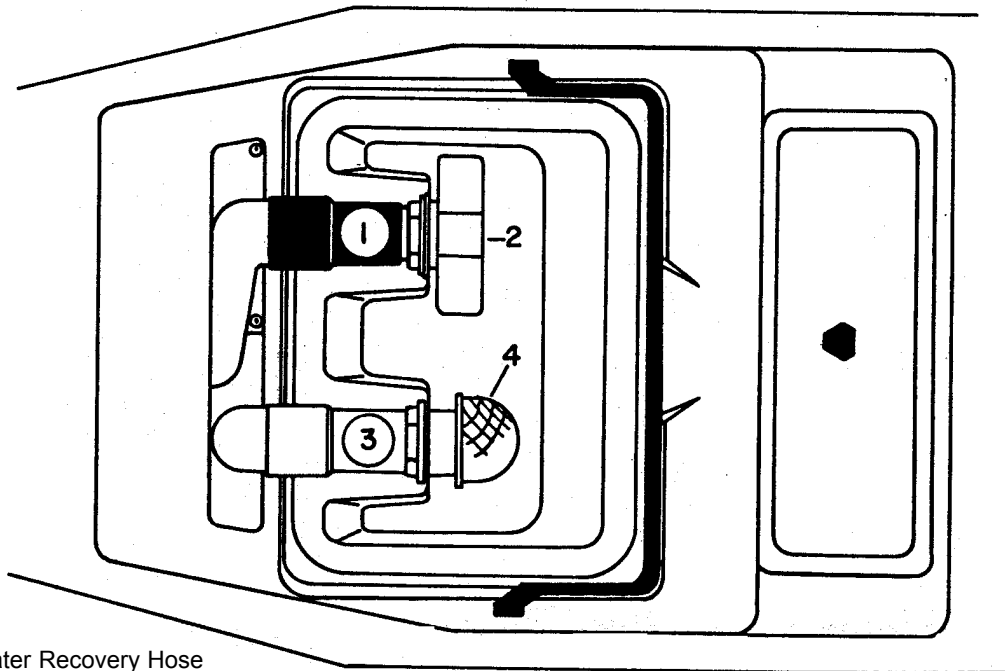
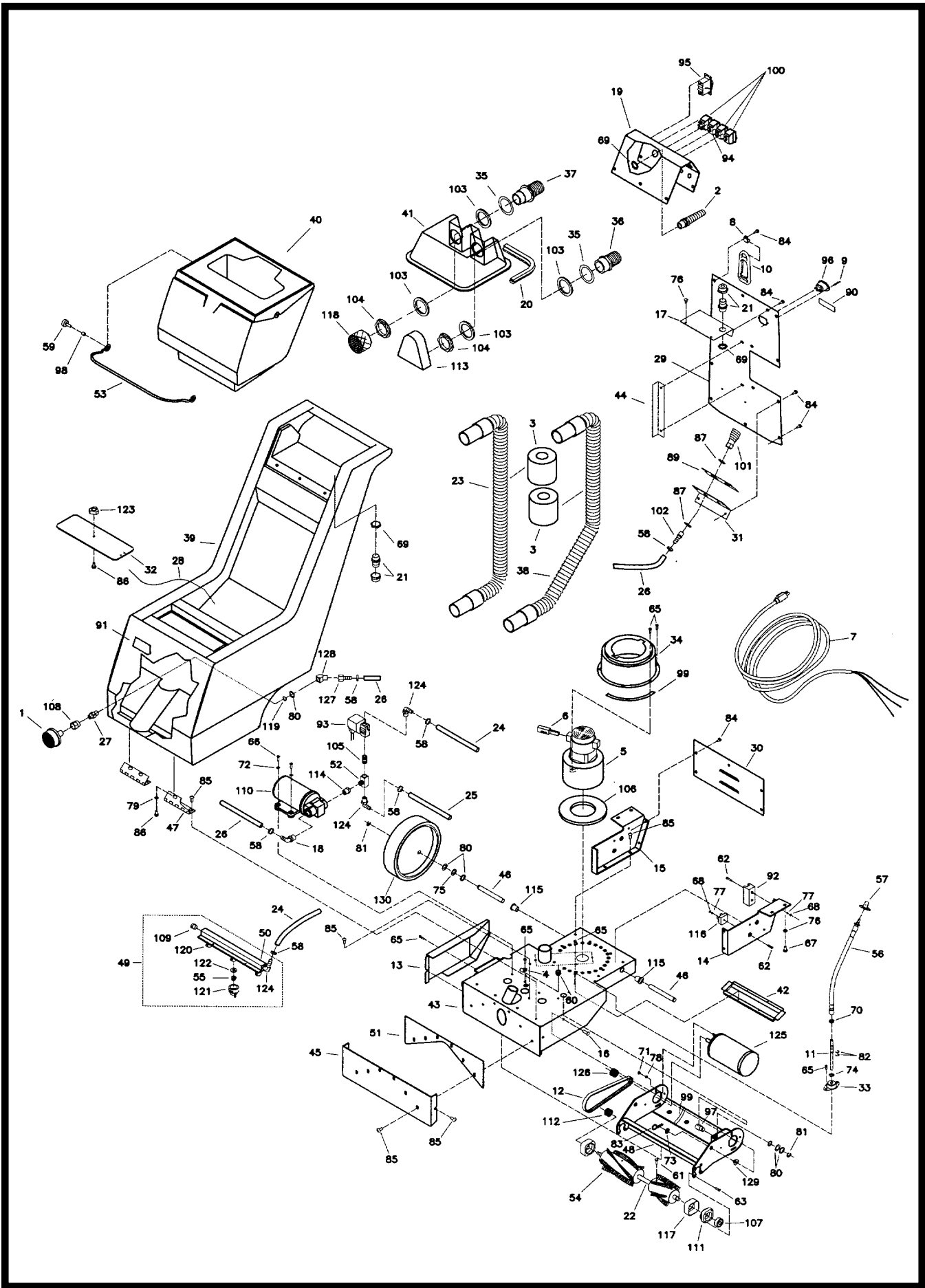



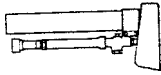
FIG. 3

1. Waste Water Recovery Hose
(Grey hose cuff to grey fitting)
2. Recovery Waste Water Diffuser
3. Vac Hose White Cuff
(White hose cuff to white fitting)
4. Vac Filter Screen



PARTS LIST

| Item | Part # | Qty. | Description | Item | Part # | Qty. | Description |
|------|------------|------|--------------------------------|------|-----------|------|-------------------------------------|
| 1 | 130118 | 1 | Solution Strainer M3-40 | 67 | 711202 | 2 | BLT-HH 1/4-20 x .50 ST PL |
| 2 | 150004 | 1 | Relief Strain Heyco 3251 | 68 | 711301 | 3 | Nut-Hex 6-32 ST PL |
| 3 | 169125 | 2 | Filter 1.44 x 3.5 x 3 | 69 | 711400 | 3 | Nut-Pipe Lock 1/2 |
| 4 | 250038 | 1 | Retainer, Bag Clip | 70 | 711420 | 3 | Nut-Hex Jam 5/16-18 ST PL |
| 5 | 380001 | 1 | Vac Motor 6336-00 120V | 71 | 711427 | 2 | Nut-Flanged Wizz 10-32 |
| 6 | 380028 | 2 | Carbon Brush Replacement | 72 | 711503 | 4 | WSR-Flat #10 |
| 7 | 381020 | 1 | Cord 16GA-3 50ft Med Grey | 73 | 711506 | 2 | WSR-Flat (Narrow) 5/16 ST PL |
| 8 | 381052 | 1 | Clamp Plastic 3/8 ID | 74 | 711523 | 1 | WSR-Wave .37 x .68 x .08 |
| 9 | 410-4419AA | 2 | Rivet Pop | 75 | 711524 | 3 | WSR-Wave .52 x .87 x .01 |
| 10 | 450012 | 1 | Cord Strain Relief | 76 | 711544 | 2 | WSR-Helical 1/4 |
| 11 | 450019 | 1 | Adj. Rod Brush | 77 | 711552 | 3 | WSR-Internal Lock #8 |
| 12 | 450022 | 1 | Belt-Brush 399-3M-06K | 78 | 711553 | 7 | WSR-Internal Lock #10 |
| 13 | 450026 | 1 | Belt Guard SC17 PTD | 79 | 711554 | 4 | WSR-Internal Lock 1/4 ID |
| 14 | 450030 | 1 | Wheel Well Plate RH | 80 | 711594 | 11 | WSR-Flat .56 x .88 x .02 NI |
| 15 | 450031 | 1 | Wheel Well Plate LH | 81 | 711713 | 3 | Ret Ring - E Ext. .50 |
| 16 | 450034 | 2 | Pin Clevis 5/16 x .75 | 82 | 711717 | 2 | Ret Ring - E Ext. .37 |
| 17 | 450036 | 1 | Cover Top AMB 17 | 83 | 711808 | 2 | Pin - Cotter Hairpin #13 |
| 18 | 450040 | 1 | Elbow PLT 3/8 MPT x 3/8 Barb | 84 | 712101 | 19 | SCR-MC HWSR 10-24 x .375 SS |
| 19 | 450043 | 1 | Dashboard | 85 | 712559 | 16 | SCR-TR 1/4-20 x .62 TORX TR HD SEMS |
| 20 | 450044 | 1 | Molded Recovery Dome Gasket | 86 | 712560 | 5 | SCR-MCH 1/4-20 x .50 SS NYLOC |
| 21 | 450050 | 2 | Bushing Heyco .875 x .875 x 1. | 87 | 712760 | 2 | WSR-FLT .56 x 1.06 x .04 SS |
| 22 | 450052 | 1 | Brush Shaft Amb. Jr | 88 | 715132 | 1 | Decal Dashboard Diecut |
| 23 | 450053 | 1 | Vac Hose Assy. White SC17 | 89 | 715133 | 1 | Decal Brush Adjustment Ambassador |
| 24 | 450055 | 2 | Hose Nylo 3/8 ID x 9" | 90 | 715340 | 1 | Decal Receipt 120V |
| 25 | 450056 | 1 | Hose Nylobraid C/L 21" | 91 | 715385 | 1 | Decal MMN 1.4 x 9.68 Lt Gry |
| 26 | 450057 | 1 | Hose 3/8 ID x 20.5 | 92 | 740189 | 1 | Terminal Block-10471 |
| 27 | 450059 | 1 | Fitting Brass 1/4 MPT 1/4 MPT | 93 | 740245 | 1 | Water Solenoid 115V |
| 28 | 450062 | 1 | Cord Nylon C/L 12" | 94 | 740400 | 1 | Switch Momentary 15AMP |
| 29 | 450063 | 1 | Back Panel Assy Amb Jr | 95 | 740402 | 1 | Gauge Pressure 0-3 |
| 30 | 450064 | 1 | Lower Rear Panel | 96 | 741038 | 1 | Receptacle-IEC 320 |
| 31 | 450065 | 1 | Bracket Quick Disconnect | 97 | 762257PLT | 1 | Nut, Adjusting RH Zinc Dicromate |
| 32 | 450066 | 1 | Solution Lid Cover | 98 | 762384 | 2 | Bushing .277 x .375 x .37 SS |
| 33 | 450068 | 1 | Bearing, Flange Mounted | 99 | 805042 | 1 | Gasket |
| 34 | 450074PLT | 1 | Motor Shroud Zinc Plated | 100 | 809754 | 3 | Switch Rocker |
| 35 | 450081 | 2 | WSR 1.908 x 2.41 x .03 SS | 101 | 828370 | 1 | BH2-60 Female Coupler |
| 36 | 450082 | 1 | Insert Fit TA 102424 Grey | 102 | 828952 | 2 | Fitting PP1/4 MPT 3/8 Barb |
| 37 | 450083 | 1 | Insert Fit TA 102424 White | 103 | 828970 | 4 | WSR Neoprene 1.87 x 2.4 x .125 |
| 38 | 450090 | 1 | Recovery Hose New Style | 104 | 828971 | 2 | Nut 1 1/2 Pipe Thread |
| 39 | 450100MCH | 1 | Solution Tank Jr Burgundy | 105 | 828981 | 1 | Fitting Brass Nipple 1/4MPT |
| 40 | 450101B | 1 | Tank Recovery Jr Burgundy | 106 | 828995 | 1 | Gasket Neop 2.5 x 6 x .62 |
| 41 | 450102 | 1 | Recovery Dome Amb Jr | 107 | 829044 | 2 | Bearing-Brush .3937 x 1.1811 |
| 42 | 450104 | 1 | Vacuum Air Manifold | 108 | 829114 | 1 | Adapter BR 3/8 FPT x 1/4 FPT |
| 43 | 450106 | 1 | Mainframe Weldment | 109 | 829619 | 1 | Hex Head Pipe Plug 1/4 B |
| 44 | 450109 | 1 | L Bracket Back Panel 450063 | 110 | 829757 | 1 | 50 PSI 115V Flojet Pump |
| 45 | 450110 | 1 | Front Squeegee Plate | 111 | 829758 | 2 | Bearing Block |
| 46 | 450111 | 1 | Axle Rear Amb Jr | 112 | 829823 | 1 | Pulley HTD Flanged 30T |
| 47 | 450112 | 2 | Hinge Amb Jr | 113 | 830448 | 1 | Deflector |
| 48 | 450113 | 1 | Brush Bracket Weldment | 114 | 830708 | 1 | Bushing BR 3/8 MPT x 1/4 FPT |
| 49 | 450116 | 1 | Spray Tube Assy Amb Jr | 115 | 831212 | 2 | Flange Bearing |
| 50 | 450117 | 1 | Spray Tube PVC | 116 | 831261 | 1 | Rectifier-12amp 400V PY40F |
| 51 | 450118 | 1 | Front Plate Neoprene Gasket | 117 | 831610 | 2 | Brush Shield |
| 52 | 450119 | 1 | Male Branch T 1/4 Brass | 118 | 831621 | 1 | Filter-Dome Vac 1.5 #10 |
| 53 | 450120PTD | 1 | Handle Recovery Tank Amb | 119 | 832326 | 1 | O Ring |
| 54 | 450121 | 1 | Brush Core Amb. Jr ASR | 120 | 833140 | 3 | Body Inlet Connector |
| 55 | 450122 | 3 | Unijet Spray Tip 6503 | 121 | 833141 | 3 | Cap |
| 56 | 452010 | 1 | Cable Flexible Assembly | 122 | 833142 | 3 | Gasket, Cap |
| 57 | 452029 | 1 | Knob 1520 x BLK 1/4 BRAS | 123 | 833214 | 1 | Knob 3-Sided 1/4 20 INSE |
| 58 | 452037 | 4 | Clamp Crimp 170R SS | 124 | 833325 | 3 | Fitting Nylon 90 1/4MPT 3/8HOS |
| 59 | 500033 | 2 | Locking Screw | 125 | 833442 | 1 | Motor Brush 1/8 HP 115V |
| 60 | 700287 | 1 | Grommet | 126 | 833443 | 1 | HTD Flanged Pulley 22 T. |
| 61 | 710130 | 2 | SCR-MC 8-32 x .62 Nickel | 127 | 833473 | 1 | Fitting Brass 1/4 FPT 3/8 Hose |
| 62 | 710207 | 3 | SCR-MC 6-32 x .87 ST PL | 128 | 833906 | 1 | Fitting Brass 45 1/4MPT 1/4 FPT |
| 63 | 710528 | 8 | SCR-MC 8-32 x .37 BR | 129 | 840202 | 2 | Bushing-FLG .314 x .825 x .385 |
| 64 | 711104 | 2 | SCR-ST-A 10 x .50 | 130 | 900008 | 2 | 8.00 Dia. Wheel |
| 65 | 711124 | 11 | SCR-ST-B 10 x .37 NI | | | | |
| 66 | 711126 | 4 | SCR-ST-B 10 x .75 | | | | |

| | | Part No. | Description |
|----------|---|-----------------|-------------------------|
| A |  | 828924 | Hose Assembly |
| B | | 831255 | Scrub Wand |
| C |  | 390070 | Stair & Upholstery Tool |

LIMITED WARRANTY

Minuteman International, Inc. warrants to the original purchaser/user that this product is free from defects in workmanship and materials under normal use and service for a period of three years from date of purchase. In addition, Minuteman International, Inc. will, at its option, honor labor warranty claims for the first 12 months from date of sale, provided such claims are submitted through and approved by factory authorized repair stations. Minuteman International, Inc. will, at its option, repair or replace without charge, except for transportation costs, parts that fail under normal use and service when operated and maintained in accordance with the applicable operation and instruction manuals.

This warranty does not apply to normal wear, or to items whose life is dependent on their use and care, such as belts, cords, switches, hoses, rubber parts, electrical motor components or adjustments. Parts not manufactured by Minuteman International, Inc. such as engines, batteries, battery chargers, hydraulic pumps, and tires are covered by and subject to the warranties and/or guarantees of their manufacturers. Please contact Minuteman International, Inc. for procedures in warranty claims against these manufacturers.

Special warning to purchaser — Use of replacement filters and/or prefilters not manufactured by Minuteman International, Inc. or its designated licensees, will void all warranties expressed or implied.

A potential health hazard exists without exact original equipment replacement.

All warranted items become the sole property of Minuteman International, Inc. or its original manufacturer, whichever the case may be.

Minuteman International, Inc. disclaims any implied warranty, including the warranty of merchantability and the warranty of fitness for a particular purpose. Minuteman International, Inc. assumes no responsibility for any special, incidental or consequential damages.

This limited warranty is applicable only in the U.S.A. and Canada, and is extended only to the original user/purchaser of this product. Customers outside the U.S.A. and Canada should contact their local distributor for export warranty policies. Minuteman International, Inc. is not responsible for costs or repairs performed by persons other than those specifically authorized by Minuteman International, Inc. This warranty does not apply to damage from transportation, alterations by unauthorized persons, misuse or abuse of the equipment, use of non-compatible chemicals, or damage to property, or loss of income due to malfunctions of the product.

If a difficulty develops with this machine, you should contact the dealer from whom it was purchased.

This warranty gives you specific legal rights, and you may have other rights which vary from state to state. Some states do not allow the exclusion or limitation of special, incidental or consequential damages, or limitations on how long an implied warranty lasts, so the above exclusions and limitations may not apply to you.

Minuteman[®]

World Headquarters
Minuteman International, Inc.
111 South Rohlwing Road
Addison, Illinois 60101

Minuteman Canada, Inc.
2210 Drew Road
Mississauga, Ontario
L5S 1B1

(630) 627-6900
FAX (630) 627-1130

(905) 673-3222
FAX (905) 673-5161

985808
Printed in U.S.A.